

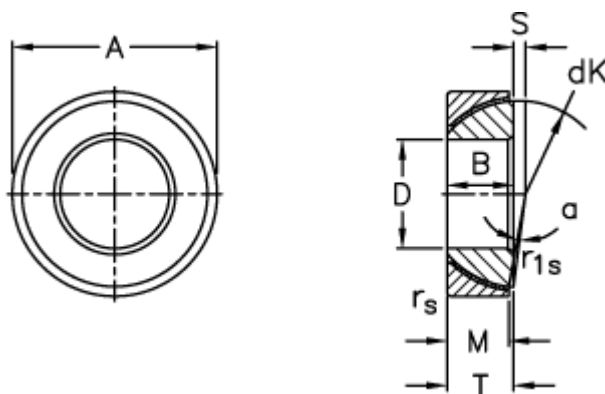
# Data Sheet



Article number: 03510140

Description: Fluro Rod end GE 140SW

## Measures



A = 210 0 -0,030

B = 45

D = 140 0 -0,025

dK = 198

Dynamic load C (kN) = 1330

M = 43

rs, r1s min = 2.5

S = 19

Static load C0 (kN) = 2660

T = 45 +0,35 -0,70

Tilt angle = 1

Weight = 6330